

4 3 2 1

F

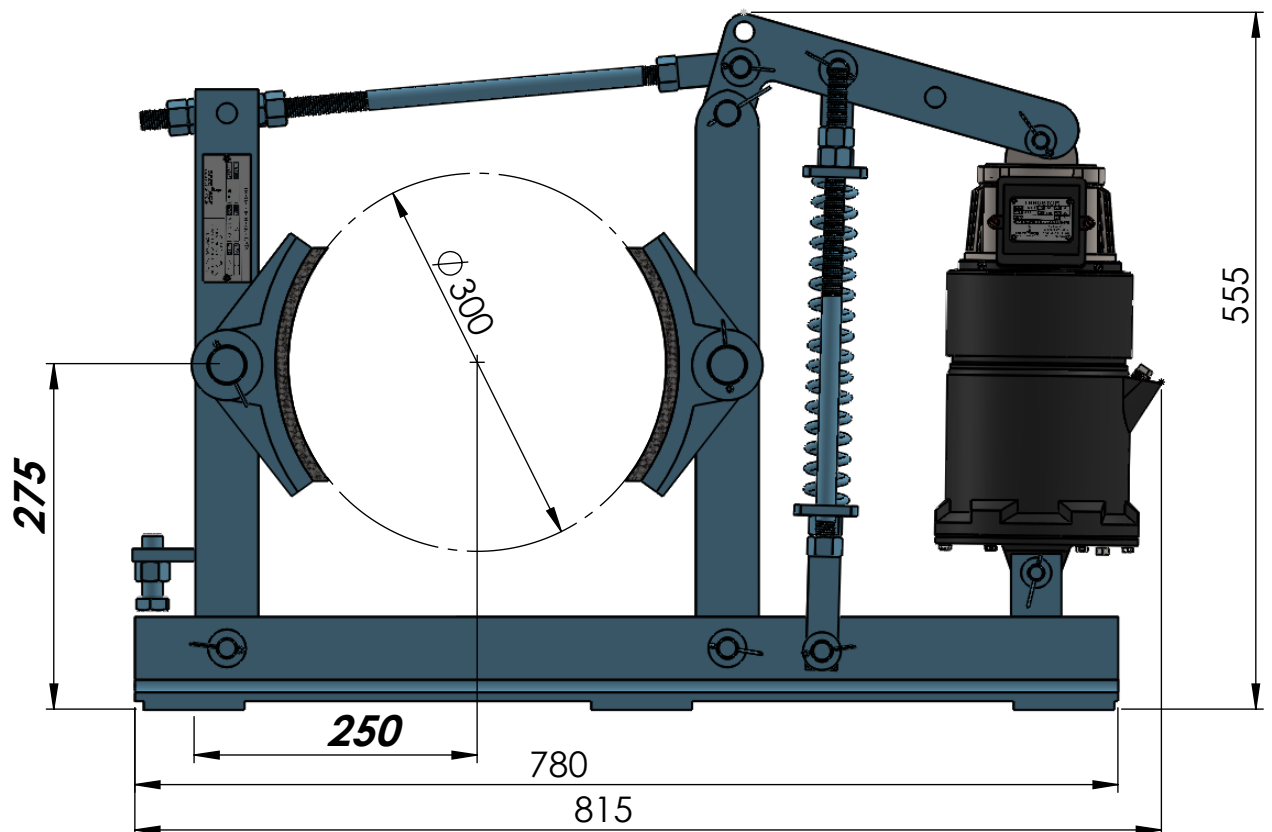
F

E

E

D

D

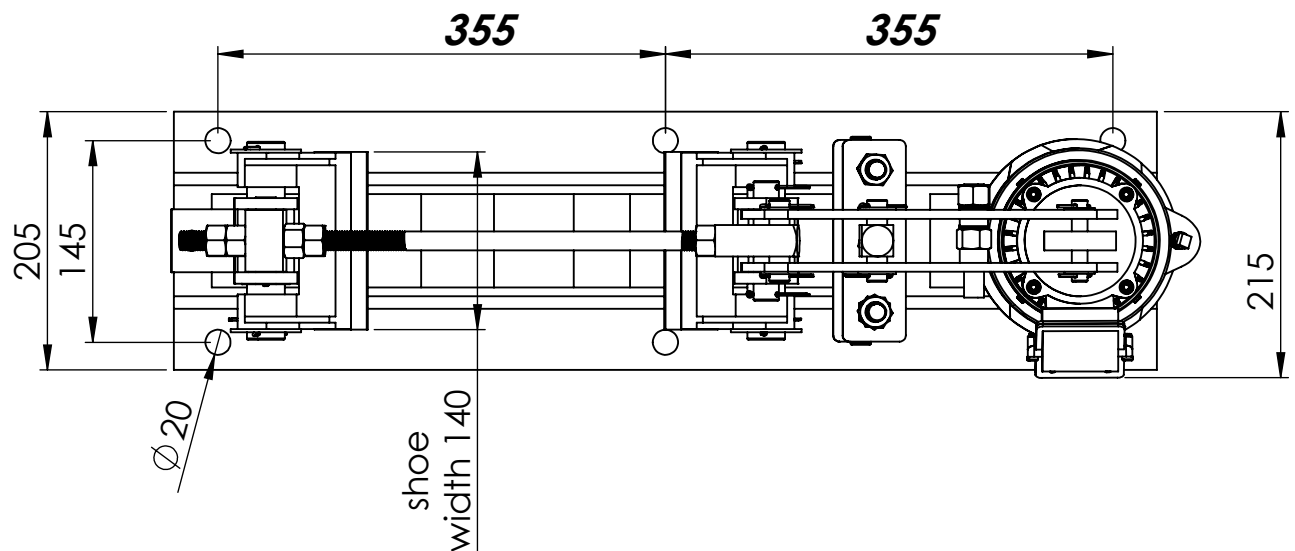


C

C

B

B



UNLESS OTHERWISE SPECIFIED:
DIMENSIONS ARE IN MILLIMETERS
SURFACE FINISH:
TOLERANCES:
LINEAR:
ANGULAR:

FINISH:

DEBURR AND
BREAK SHARP
EDGES

DO NOT SCALE DRAWING
REVISION
Speedage Engineers (India) Pvt. Ltd.

	NAME	SIGNATURE	DATE	CONTACT
DRAWN	Himanshu Tiwari			
CHK'D				
APPV'D	J.A. Raichandani			9810173991
MFG				

TITLE:
Thruster Brake MDT 300-18
Braking Torque: 42Kg.m
Thruster Stroke: 51mm
Thruster Capacity: 18Kg

A
Q.A
THIS DRAWING IS THE PROPERTY OF **SPEEDAGE ENGINEERS (INDIA) PVT. LTD.** & MUST NEITHER BE COPIED NOR BE MADE KNOWN TO ANY OTHER PARTY WITHOUT THEIR PRIOR WRITTEN CONSENT.

MATERIAL:

WEIGHT:

DWG NO.
SAE/DWG/THB/B300_18/01
SCALE: 1:6
SHEET 1 OF 1

A4

4 3 2 1