

4

3

2

1

F

F

E

E

D

D

C

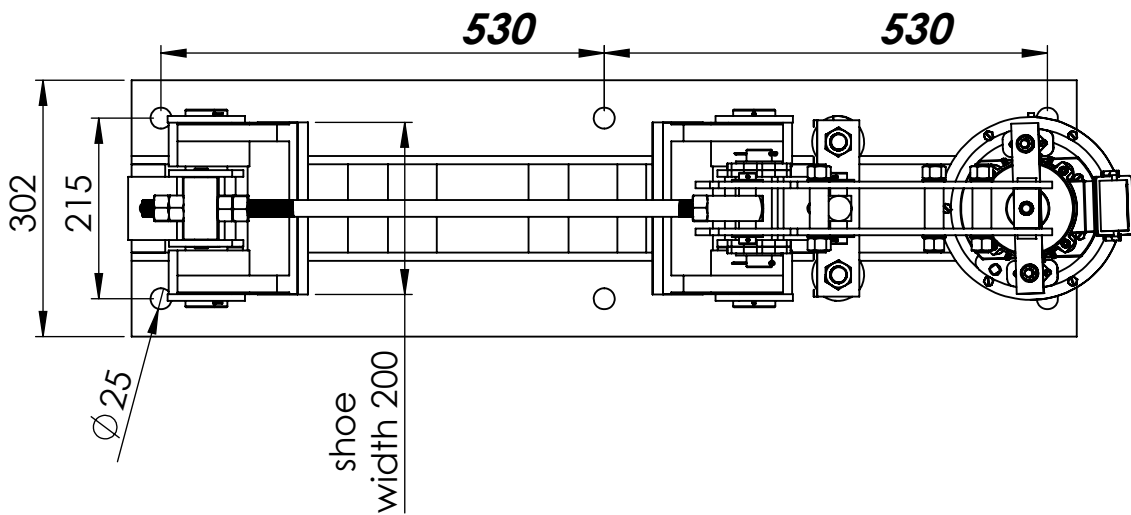
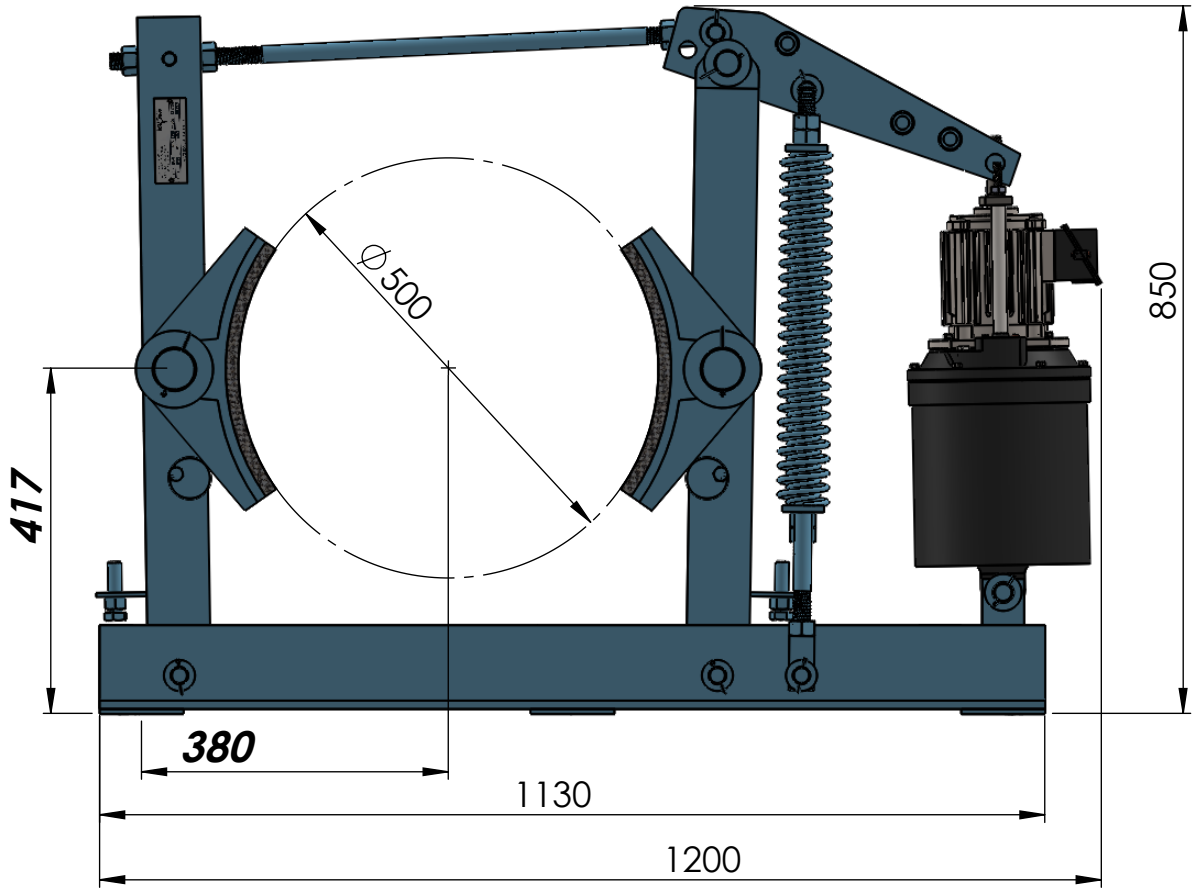
C

B

B

A

A



UNLESS OTHERWISE SPECIFIED:  
 DIMENSIONS ARE IN MILLIMETERS  
 SURFACE FINISH:  
 TOLERANCES:  
 LINEAR:  
 ANGULAR:

FINISH:

DEBURR AND  
 BREAK SHARP  
 EDGES

DO NOT SCALE DRAWING

REVISION

Speedage Engineers (India) Pvt. Ltd.

	NAME	SIGNATURE	DATE	CONTACT
DRAWN	Himanshu Tiwari			
CHK'D				
APPV'D	J.A. Raichandani			9810173991
MFG				

TITLE: Thruster Brake MDT 500-114  
 Braking Torque: 485Kg.m  
 Thruster Stroke: 76mm  
 Thruster Capacity: 114Kg

Q.A  
 THIS DRAWING IS THE PROPERTY OF **SPEEDAGE ENGINEERS (INDIA) PVT. LTD.** & MUST NEITHER BE COPIED NOR BE MADE KNOWN TO ANY OTHER PARTY WITHOUT THEIR PRIOR WRITTEN CONSENT.

MATERIAL:

DWG NO.

SAE/DWG/THB/B500\_114/01

A4

WEIGHT:

SCALE:1:9

SHEET 1 OF 1

4

3

2

1