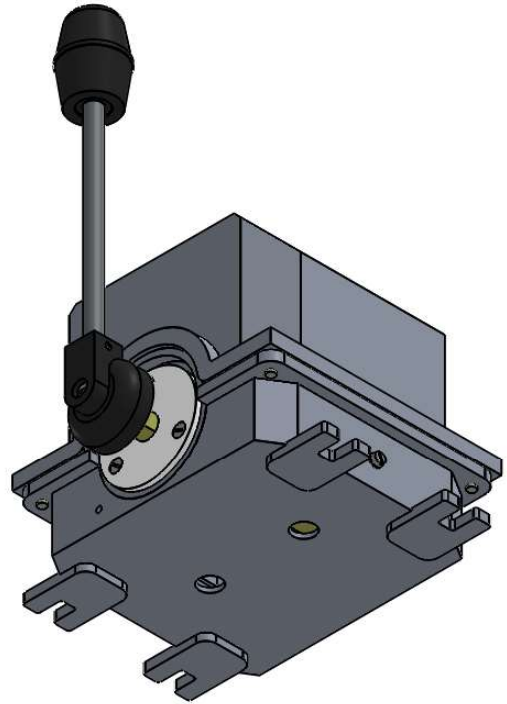
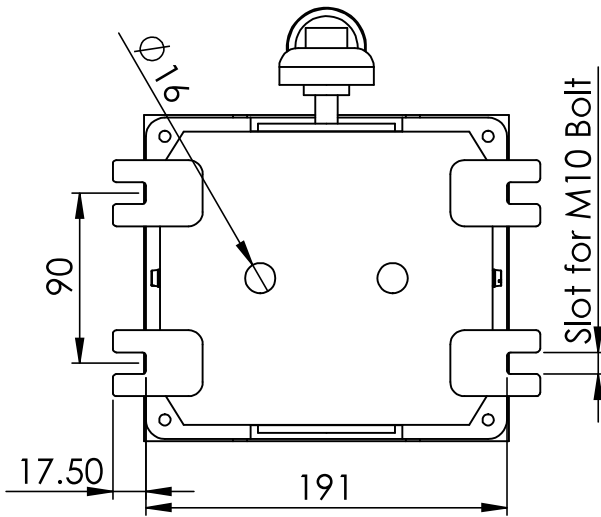
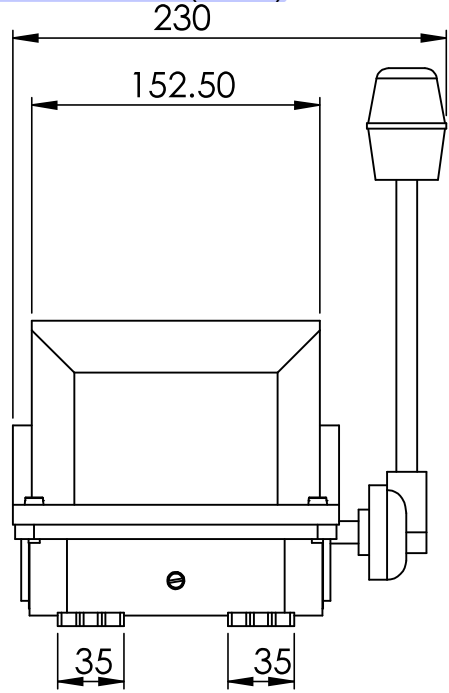
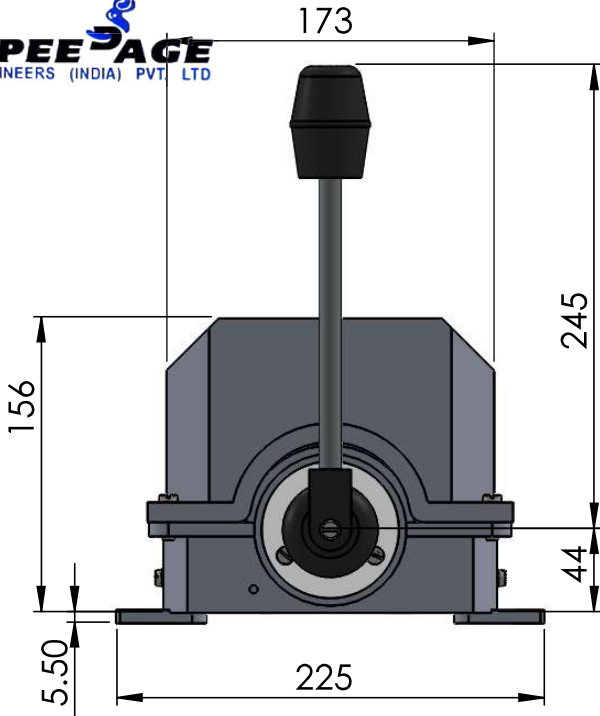


CAM OPERATED MASTER CONTROLLER (IP-54)



**IP-54 Enclosure
Maximum Number of Cams: 8**

*Master controller can be supplied with:
(a) Spring return Arrangement
(b) Deadman's handle arrangement.*

UNLESS OTHERWISE SPECIFIED:
DIMENSIONS ARE IN MILLIMETERS
SURFACE FINISH:
TOLERANCES:
LINEAR:
ANGULAR:

FINISH:

DEBURR AND
BREAK SHARP
EDGES

DO NOT SCALE DRAWING

REVISION

Speedage Engineers (India) Pvt. Ltd.

NAME	SIGNATURE	DATE	CONTACT
DRAWN Himanshu Tiwari			
CHKD			
APPV'D J.A. Raichandani			9810173991
MFG			

TITLE:

**Master Controller
CMAI-1**

Q.A

MATERIAL:

DWG NO.

THIS DRAWING IS THE PROPERTY OF **SPEEDAGE ENGINEERS (INDIA) PVT. LTD.** & MUST NEITHER BE COPIED NOR BE MADE KNOWN TO ANY OTHER PARTY WITHOUT THEIR PRIOR WRITTEN CONSENT.

WEIGHT:

SAE/DWG/CMAI1/01

A4

SCALE:1:4

SHEET 1 OF 1