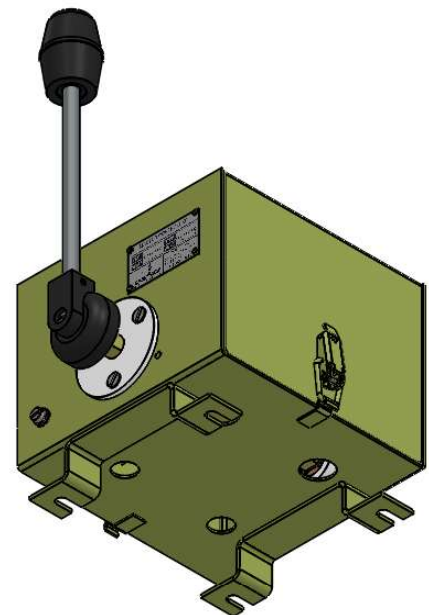
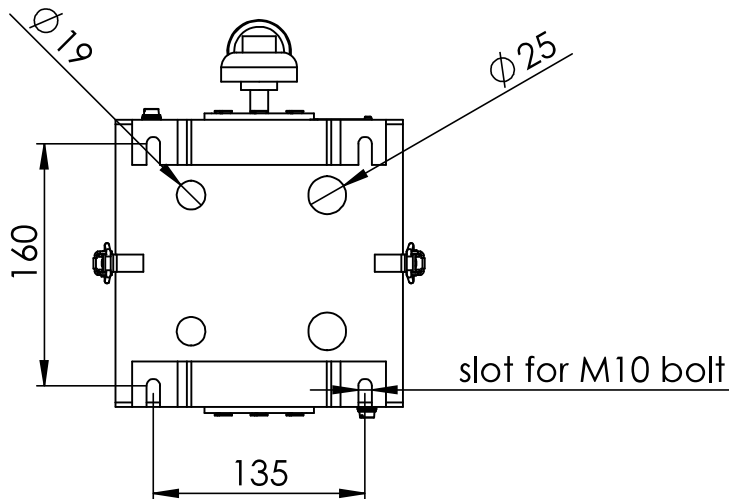
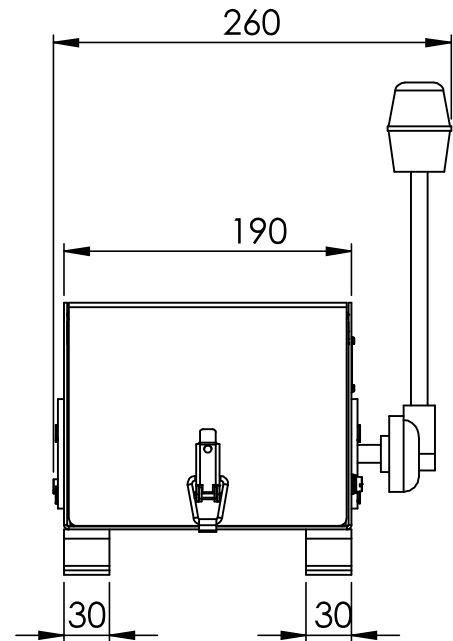
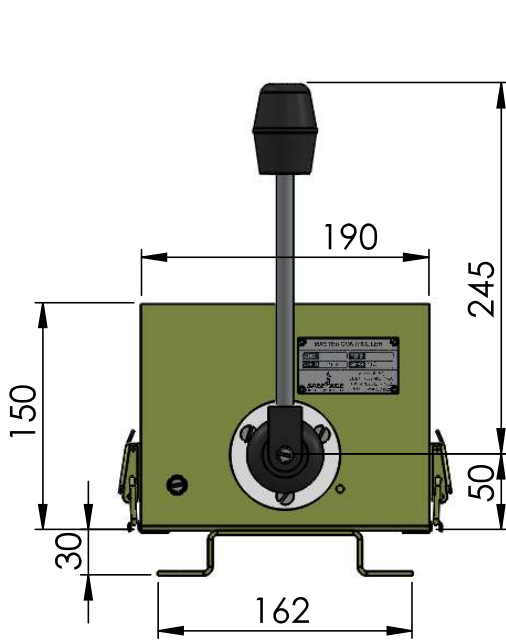


CAM OPERATED MASTER CONTROLLER (IP-41)



IP-41 Enclosure
Maximum Number of Cams: 12

Master controller can be supplied with:
(a) Spring return Arrangement
(b) Deadman's handle arrangement.

UNLESS OTHERWISE SPECIFIED:
DIMENSIONS ARE IN MILLIMETERS
SURFACE FINISH:
TOLERANCES:
LINEAR:
ANGULAR:

FINISH:

DEBURR AND
BREAK SHARP
EDGES

DO NOT SCALE DRAWING

REVISION

Speedage Engineers (India) Pvt. Ltd.

NAME	SIGNATURE	DATE	CONTACT
DRAWN Himanshu Tiwari			
CHKD			
APPV'D J.A. Raichandani			9810173991
MFG			

TITLE:

Master Controller
CM-2

Q.A

MATERIAL:

DWG NO.

SAE/DWG/CM2/01

A4

THIS DRAWING IS THE PROPERTY OF **SPEEDAGE ENGINEERS (INDIA) PVT. LTD.** & MUST NEITHER BE COPIED NOR BE MADE KNOWN TO ANY OTHER PARTY WITHOUT THEIR PRIOR WRITTEN CONSENT.

WEIGHT:

SCALE:1:5

SHEET 1 OF 1