

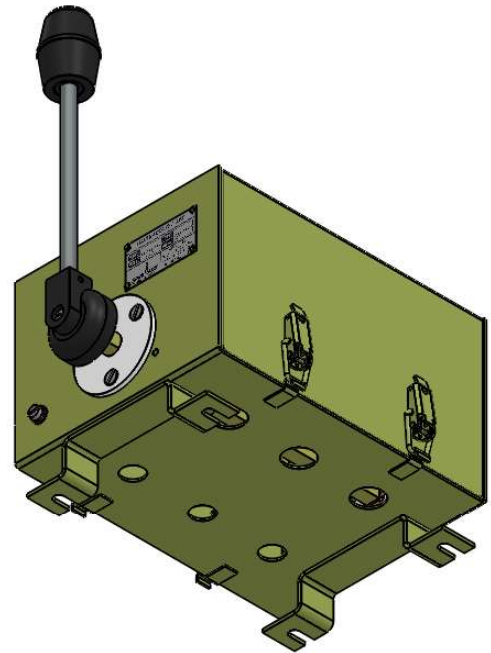
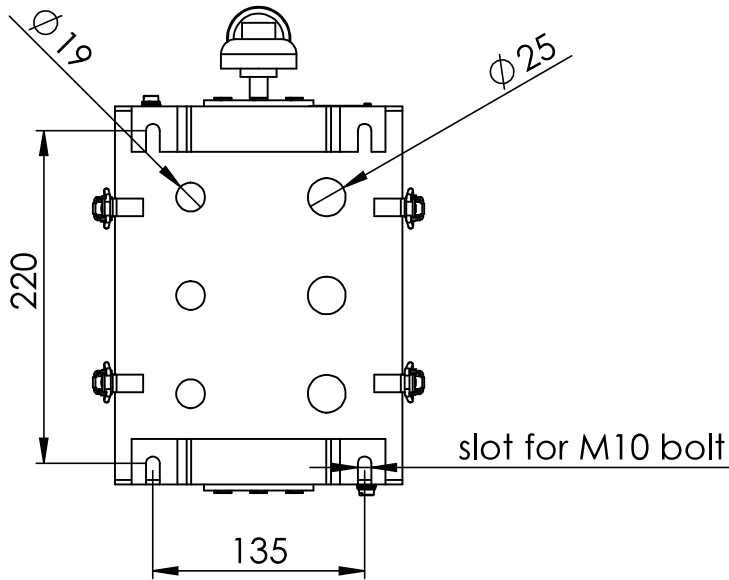
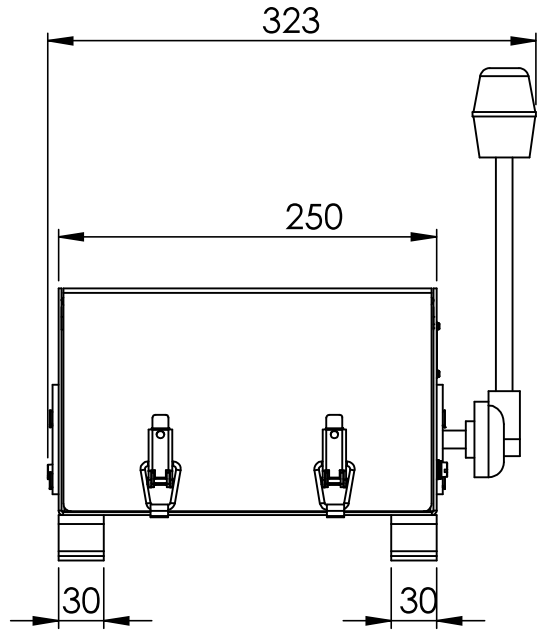
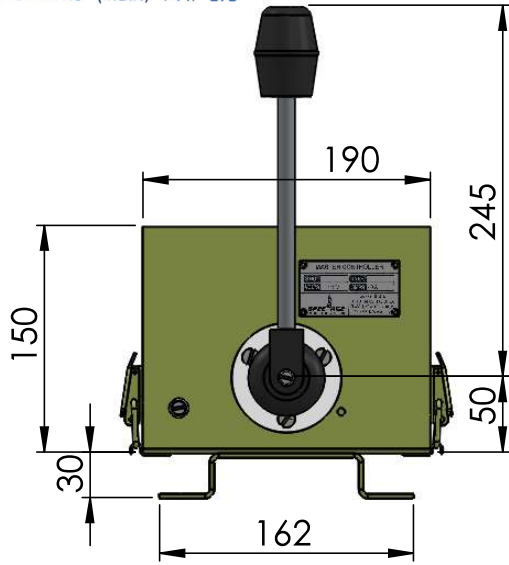
4

3

2

1

CAM OPERATED MASTER CONTROLLER (IP-41)



IP-41 Enclosure
Maximum Number of Cams: 18

Master controller can be supplied with:
 (a) Spring return Arrangement
 (b) Deadman's handle arrangement.

UNLESS OTHERWISE SPECIFIED:
 DIMENSIONS ARE IN MILLIMETERS
 SURFACE FINISH:
 TOLERANCES:
 LINEAR:
 ANGULAR:

FINISH:

DEBURR AND
 BREAK SHARP
 EDGES

DO NOT SCALE DRAWING

REVISION

Speedage Engineers (India) Pvt. Ltd.

	NAME	SIGNATURE	DATE	CONTACT
DRAWN	Himanshu Tiwari			
CHKD				
APPV'D	J.A. Raichandani			9810173991
MFG				

TITLE:

Master Controller CM-3

Q.A

THIS DRAWING IS THE PROPERTY OF **SPEEDAGE ENGINEERS (INDIA) PVT. LTD.** & MUST NEITHER BE COPIED NOR BE MADE KNOWN TO ANY OTHER PARTY WITHOUT THEIR PRIOR WRITTEN CONSENT.

MATERIAL:

DWG NO.

SAE/DWG/CM3/01

A4

WEIGHT:

SCALE:1:5

SHEET 1 OF 1

4

3

2

1