

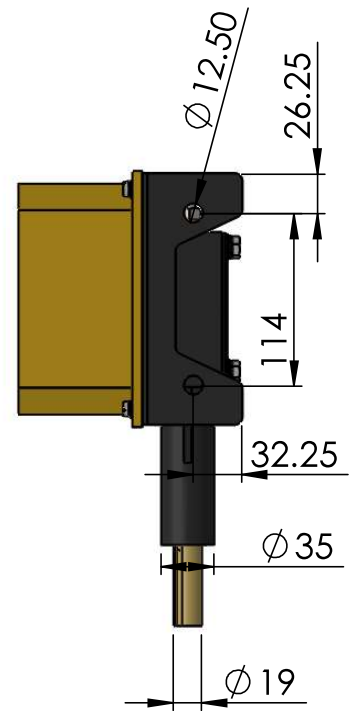
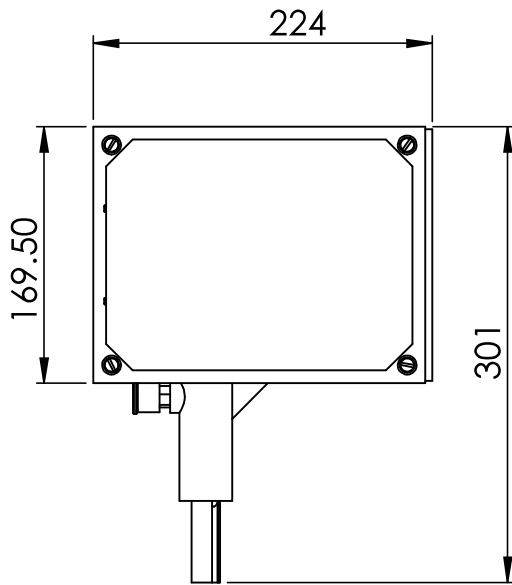
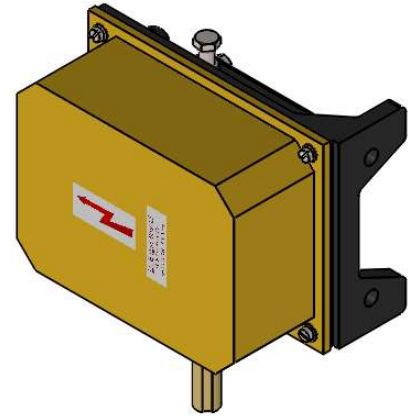
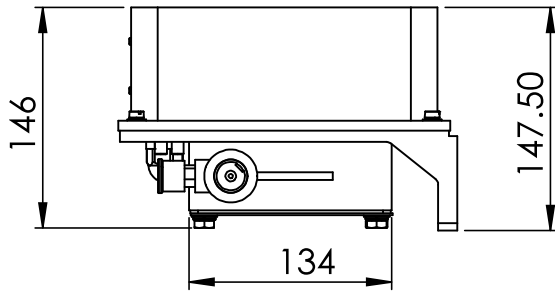
4

3

2

1

### GRLS LIMIT SWITCH FOR HOISTING



UNLESS OTHERWISE SPECIFIED:  
DIMENSIONS ARE IN MILLIMETERS  
SURFACE FINISH:  
TOLERANCES:  
LINEAR:  
ANGULAR:

FINISH:

DEBURR AND  
BREAK SHARP  
EDGES

DO NOT SCALE DRAWING

REVISION

## Speedage Engineers (India) Pvt. Ltd.

	NAME	SIGNATURE	DATE	CONTACT
DRAWN	Er. Himanshu Tiwari			
CHKD				
APPVD	J.A. Raichandani			9810173991
MFG				

TITLE:

GRLS\_48\_2SH  
415V, 10A  
Degree of protection: IP55  
No. of contacts:- 2NC/2NO/1NC+1NO

Q.A  
THIS DRAWING IS THE PROPERTY OF **SPEEDAGE ENGINEERS (INDIA) PVT. LTD.** & MUST NEITHER BE COPIED NOR BE MADE KNOWN TO ANY OTHER PARTY WITHOUT THEIR PRIOR WRITTEN CONSENT.

**MATERIAL:**  
Housing:- Cast Aluminium

DWG NO.

## SAE/DWG/GRLS\_48\_2SH/01

A4

WEIGHT:

SCALE:1:5

SHEET 1 OF 1

4

3

2

1