

4

3

2

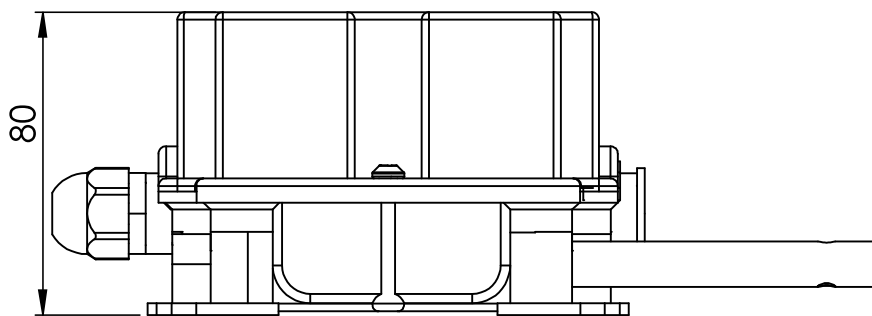
1

F

F

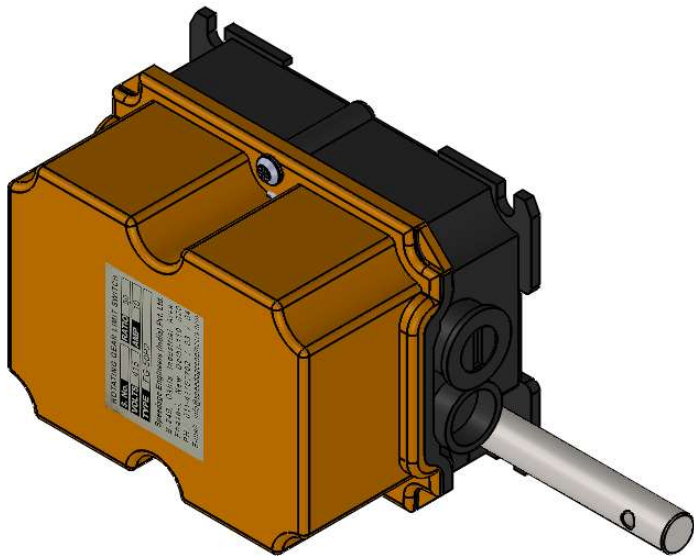


FG LIMIT SWITCH FOR HOISTING



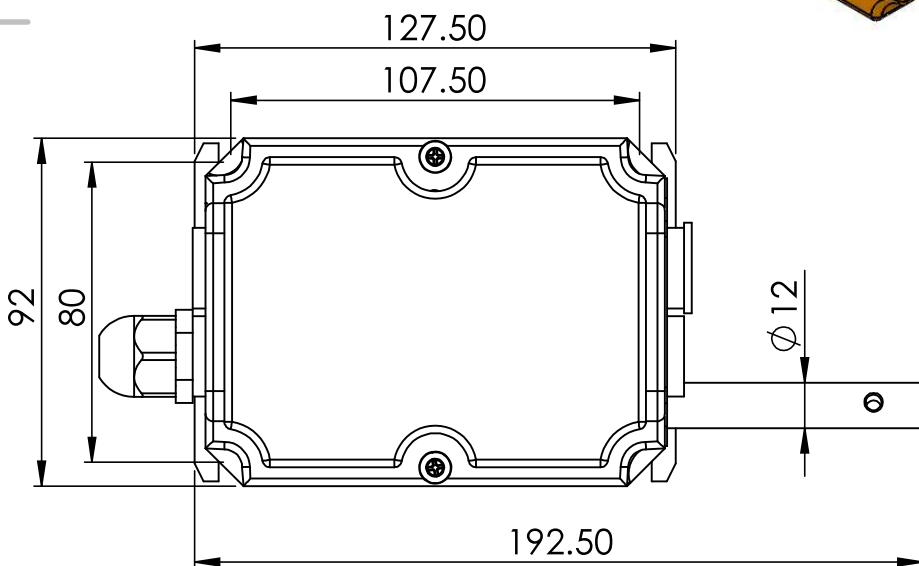
E

E



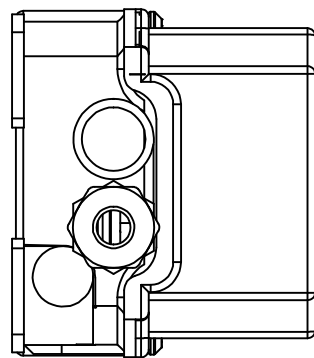
D

D



C

C



B

B

UNLESS OTHERWISE SPECIFIED:
DIMENSIONS ARE IN MILLIMETERS
SURFACE FINISH:
TOLERANCES:
LINEAR:
ANGULAR:

FINISH:

DEBURR AND
BREAK SHARP
EDGES

DO NOT SCALE DRAWING

REVISION

Speedage Engineers (India) Pvt. Ltd.

	NAME	SIGNATURE	DATE	CONTACT
DRAWN	Himanshu Tiwari			
CHKD				
APPVD	J.A. Raichandani			9810173991
MFG				

TITLE:
FG-P2,415V,10A,
Gear Ratio (12.5/50/100/200):1
Degree of protection: IP55
No. of contacts:- 2NC/2NO/1NC+1NO

A

A

THIS DRAWING IS THE PROPERTY OF **SPEEDAGE ENGINEERS (INDIA) PVT. LTD.** & MUST NEITHER BE COPIED NOR BE MADE KNOWN TO ANY OTHER PARTY WITHOUT THEIR PRIOR WRITTEN CONSENT.

MATERIAL:
Housing:- Cast Aluminium

DWG NO
SAE/DWG/FGS/P2/01

A4

WEIGHT:

SCALE:1:5

SHEET 1 OF 1

4

3

2

1