

4

3

2

1

F

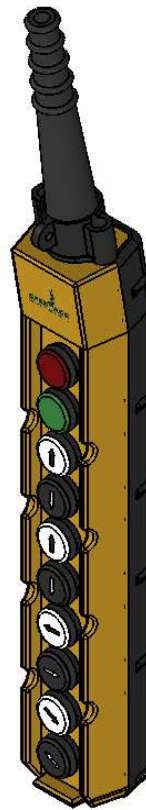
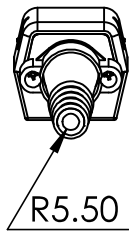
F



PENDANT PUSH BUTTON STATION SPBS10RG

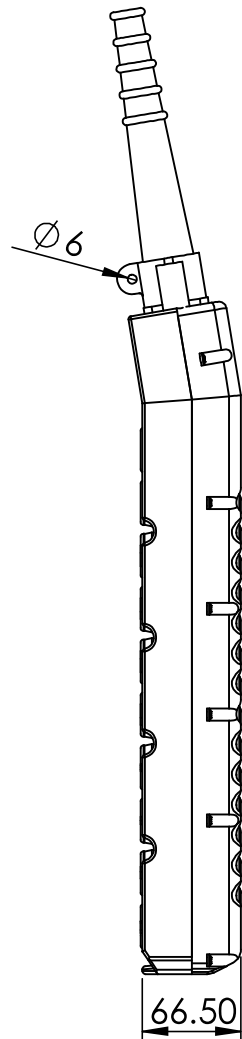
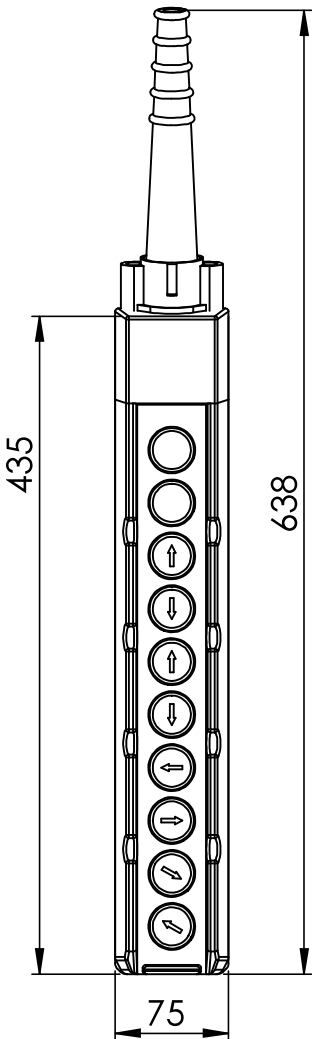
E

E



D

D



C

C

B

B

UNLESS OTHERWISE SPECIFIED:  
DIMENSIONS ARE IN MILLIMETERS  
SURFACE FINISH:  
TOLERANCES:  
LINEAR:  
ANGULAR:

FINISH:

DEBURR AND  
BREAK SHARP  
EDGES

DO NOT SCALE DRAWING

REVISION

Speedage Engineers (India) Pvt. Ltd.

NAME	SIGNATURE	DATE	CONTACT
DRAWN Er. Himanshu Tiwari			
CHKD			
APPVD J.A. Raichandani			9810173991
MFG			

TITLE:

Pendant push button  
415V,10A  
Degree of protection: IP65  
No. of contacts:- 10

A

A

THIS DRAWING IS THE PROPERTY OF **SPEEDAGE ENGINEERS (INDIA) PVT. LTD.** & MUST NEITHER BE COPIED NOR BE MADE KNOWN TO ANY OTHER PARTY WITHOUT THEIR PRIOR WRITTEN CONSENT.

MATERIAL:  
Enclosure:- ABS

DWG NO.

SAE/DWG/SPBS10EL/01

A4

WEIGHT:

SCALE:1:5

SHEET 1 OF 1

4

3

2

1