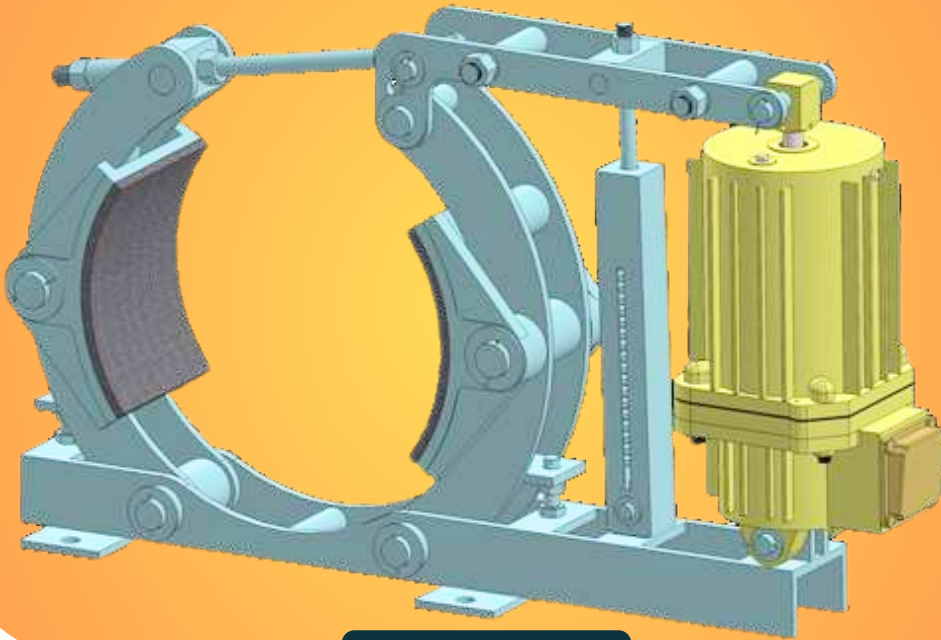


# ELOPHY

## THRUSTER BRAKES



ELOPHY THRUSTER  
INDIGENOUSLY DESIGNED AND PATENTED

Patent No: 486833

  
**SPEEDAGE**  
ENGINEERS (INDIA) PVT. LTD.

**SAFETY**  
= IS =  
**PRICELESS**

CONTROL GEAR EQUIPMENT FOR EOT CRANES

[speedageengineers.com](http://speedageengineers.com)



## 'ELOPHY' Thruster Brakes

The 'ELOPHY' Thrusters Brakes are designed for better performance and ease of maintenance. Brake is a device to stop the rotating machinery / machinery part accurately to the desired position.

The breaking force is applied to brake shoes by a pre-stressed compression spring. The brake shoes depress the rotating brake drum to slow it down and eventually stop it. Speedage ELOPHY brakes are suitable for 400/440 Volt, Phase A.C. supply for a wide range of drum sizes from 100 mm to 600 mm. Higher sizes can be supplied on request.

### Construction

1. Base/ Arms: Rigid welded construction with accessible fixing.
2. Shoes Self aligning, easily removable high grade cast iron fitted with best quality fabric linings. Designed with a large cooling surface and fitted with stop to prevent rubbing on drum when brake is open.
3. Springs: Compression Springs are vertically mounted through spring rods and securely held between spring cages. Springs are used to get desired braking torque. It depends on the brake size and thrusters capacity in that brake.

### Working principle of Brake:

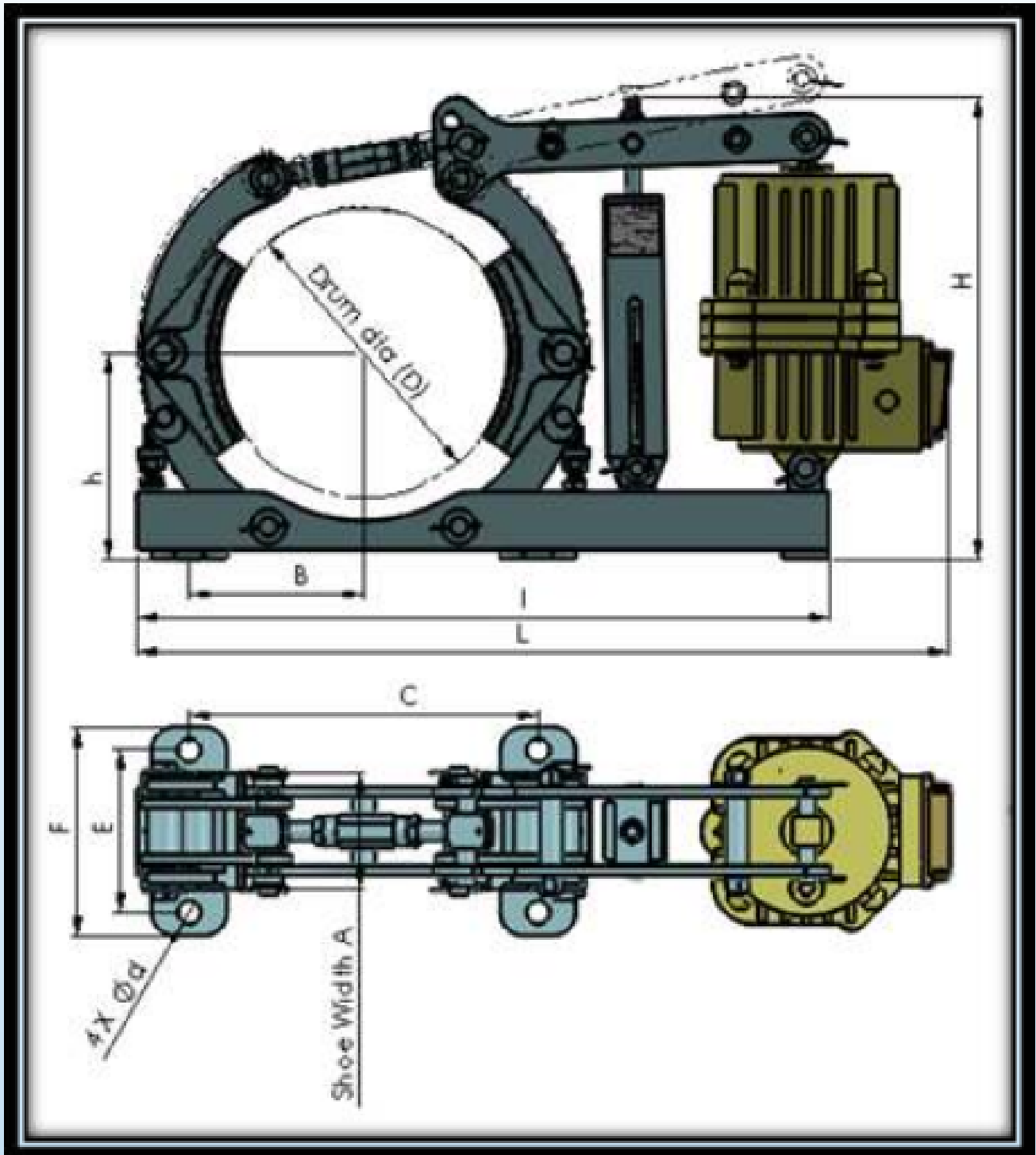
Braking force to the shoes is transmitted from the spring by means of Simple Lever and arm connecting assembly. Braking is very quick and smooth. Releasing of brake shoe affected by energizing the 3 phase motor of hydraulic thrusters which overcome the spring force and shoes are moved off from the drum by lever-arm linkage system.

### FEATURES OF THRUSTER BRAKES

1. Indigenous product.
2. Compact Design
3. Quickest Braking/Releasing Action.
4. Ease in maintenance.
5. Self alignment feature with Drum.
6. Lowest Centre Height for better braking experience.
7. IP-65 Protected Thrusters.
8. Spring cage featured with torque chart.
9. Robust construction
10. Easily adapted to any form of existing or new machine



## ELOPHY BRAKES' GENERAL DRAWING AND OTHER INFORMATION

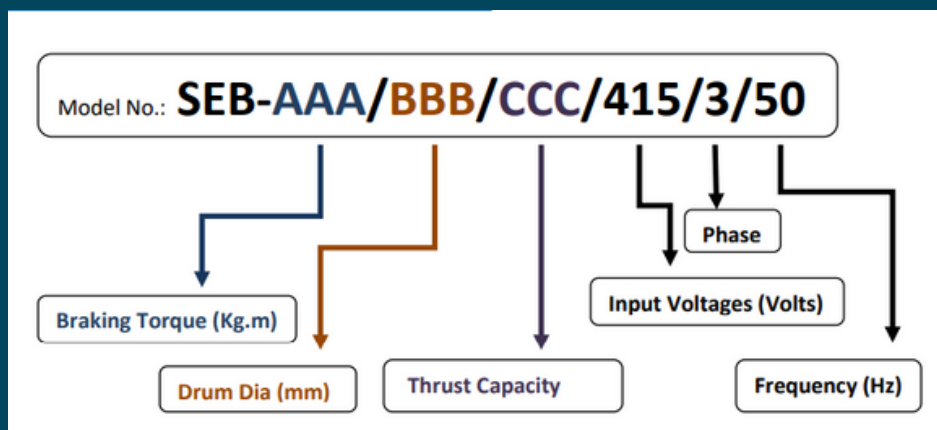




## ELOPHY THRUSTER BRAKE GENERAL TECHNICAL DETAILS

Brake Type	Thruster (Capacity in Kg)	Thruster Stroke (mm)	Braking Torque (kg.m)	Dimensions in mm											Brake's Weight (Kg)
				D	A	B	C	d	E	F	h	H	l	L	
SEB 160/23	JET 1 (23)	50	12	160	70	100	200	10	80	105	116	350	465	570	
SEB 200/23	JET 1 (23)	50	25	200	90	140	280	12	110	140	146	390	536	640	
SEB 200/30	JET 2 (30)	50	32	200	90	140	280	12	110	140	146	442	536	640	
SEB 250/23	JET 1 (23)	50	32	250	100	150	300	20	140	180	178	400	595	700	
SEB 250/30	JET 2 (30)	50	40	250	100	150	300	20	140	180	178	490	595	700	
SEB 300/23	JET 1 (23)	50	42	300	140	175	350	20	140	200	208	455	665	765	
SEB 300/30	JET 2 (30)	50	55	300	140	175	350	20	140	200	208	495	665	770	
SEB 300/50	JET 3 (50)	60	75	300	140	175	350	20	140	200	208	530	665	800	
SEB 400/30	JET 2 (30)	50	75	400	175	225	450	20	175	220	267	550	850	950	
SEB 400/50	JET 3 (50)	60	115	400	175	225	450	20	175	220	267	585	850	970	
SEB 400/80	JET 4 (80)	60	180	400	175	225	450	20	175	220	267	585	850	970	
SEB 500/50	JET 3 (50)	60	140	500	200	230	460	25	250	320	333	715	1000	1120	
SEB 500/80	JET 4 (80)	60	220	500	200	230	460	25	250	320	333	715	1000	1120	

## ELOPHY BRAKES' NAME PLATE DETAILS





## Safety is Priceless

Safety is priceless. We produce high quality original Equipment for EOT cranes to assure safety. When we use high quality equipment in our EOT cranes, we actually save human and financial resources by eliminating the unnecessary maintenance, time and cost. It reduces the machine downtime and enhances overall production of the plant. Speedage Engineers high quality equipment for EOT cranes offers fail-safe original equipment for EOT cranes with better durability and reliability.

## Speedage Engineers India

More than 25 years, Speedage Engineers (India) Pvt. Ltd., has been one of the innovative and leading original equipment manufacturer of control gear equipment for EOT cranes. The product development and manufacturing philosophy of Speedage Engineers is based on "Safety is priceless".

We ensure to deliver high quality and safe product to our customers. Speedage maintains product quality leadership by constantly innovating and improving the products in response to customer requirements.

Our customer centric approach allowed us to serve our clients with high quality and full satisfaction.

## Product Applications for various industries

EOT Cranes; Steel, Sugar, Fertilizers, Cement, Power, Heavy Engineering, Automobile Industries, Ports, and many other industries where Heavy material handling required.

## Product Range

ELOPHY Thrusters, ELOPHY Brakes, Thrusters, Thruster Brakes, Master Controller, Resistance Boxes, Limit Switches, Cable Trolleys, Pendant Push Button stations, Rotating Geared Limit Switch, Radio Remote, Controls, Anti Collision Devices, Geared Couplings, Brake Drum Couplings.

**Speedage Engineers (India) Pvt. Ltd.**

C-94 DDA Sheds, Okhla Industrial Area, Phase-I, New Delhi-110020

Phone: 88 261 523 17, 011-41707718, 417077702/03 Email: dprasad.speedageengineers@gmail.com