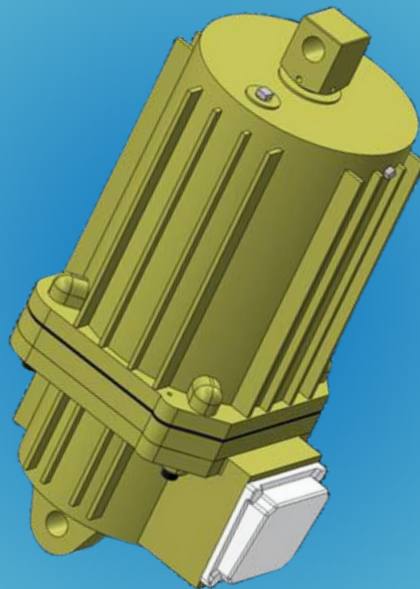


# ELOPHY

## BHARAT KA APNA THRUSTER

Indigenous and Patented Design, Patent No: 486833



CONTROL GEAR EQUIPMENT FOR EOT CRANES

[speedageengineers.com](http://speedageengineers.com)



## ELOPHY Thruster

The ELOPHY Thrusters are indigenously designed and patented (Patent No 486833) for better performance and ease of maintenance. It is an electro-hydraulic device to apply pressure or actuate the lever mechanism of a system.

The ELOPHY Thrusters have been extensively tested and proven to provide consistent and reliable performance in various industrial applications. With its innovative design and advanced technology, it offers superior efficiency and durability compared to traditional hydraulic systems.

Furthermore, the patented design ensures easy maintenance and quick troubleshooting, minimizing downtime and maximizing productivity. Overall, the ELOPHY Thrusters are a groundbreaking solution for efficient and reliable pressure application in a wide range of industries.

## Construction

The ELOPHY Thruster Tank accommodates a centrifugal pump and a piston-cylinder arrangement with one piston-rod extending outside through tank and transmitting effort to the brake. When motor is energized, it spins the impeller, which is immersed in oil. Spinning of impeller generates a pressure head in the oil which is impressed upon a piston.

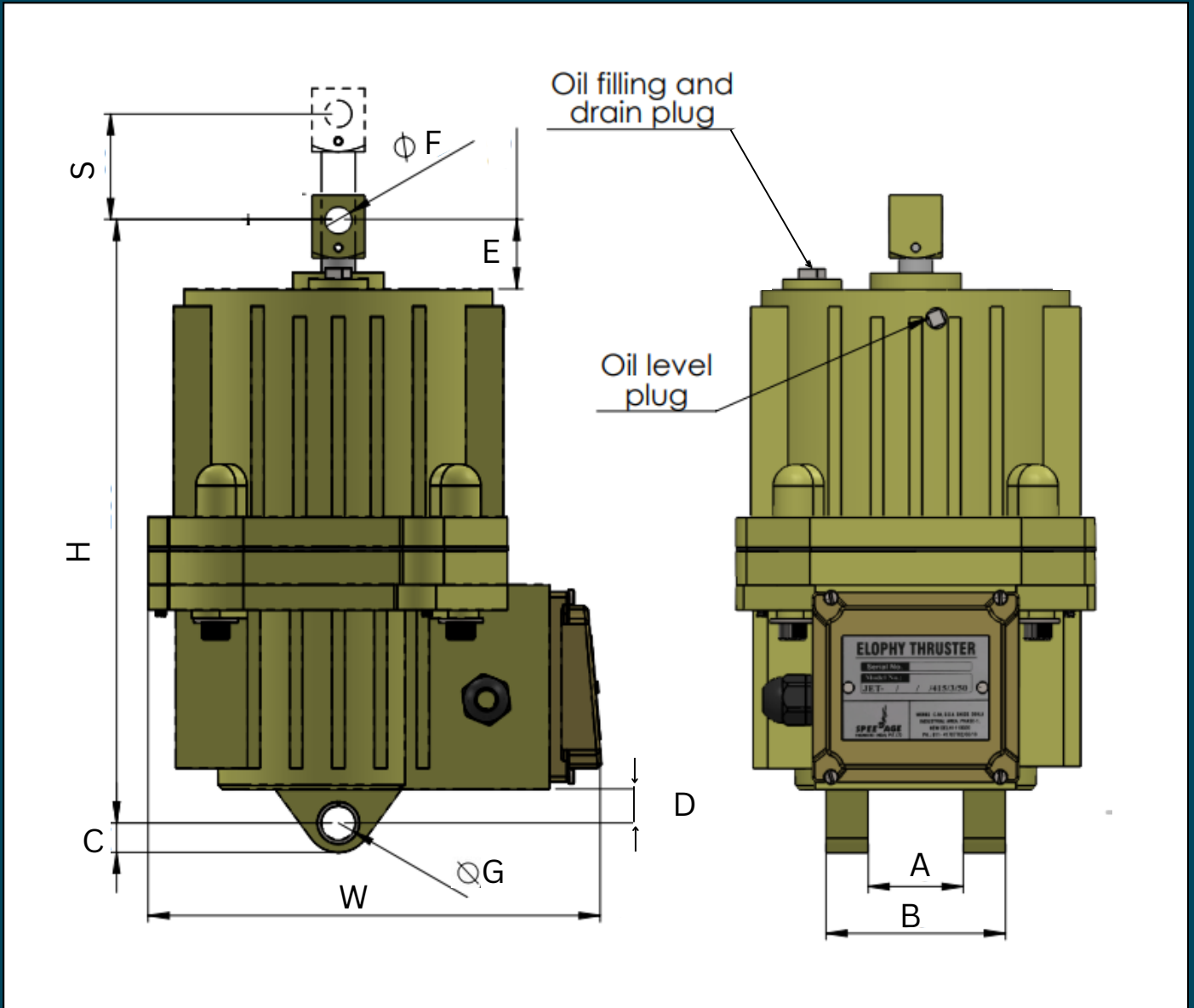
This process generates force that gets transmitted to lever of brake by means of a piston rod. All operations of a Thruster are operated by an integral three phase squirrel cage motor.

## Features of Elophy Thruster

1. Indigenous & Patented Design
2. Patent No 486833
3. Compact Design
4. Quickest Action
5. Ease of Maintenance
6. IP-65 Protection



**SPEEDAGE ELOPHY THRUSTERS (JET) GENERAL DRAWING**



**ELOPHY THRUSTER GENERAL TECHNICAL DETAILS**

Thruster Model	Thrust capacity (Kg)	Stroke (S) in MM	Input watts	Thruster weight (Kg)	Dimensions in mm									Oil Capacity (Ltrs)
					A	B	C	D	E	F	G	H	W	
JET 1	23	50	180	12	45	85	14	16	28.5	12.7	16	286	215	1.25
JET 2	30	50	180	12.5	45	85	14	16	39.5	16	16	370	215	1.5
JET 3	50	60	220	21.5	60	120	25	21	37	20	20	435	255	3.5
JET 4	80	60	250	23	60	120	25	21	52	20	20	450	255	4.0



### Safety is Priceless

Safety is priceless. We produce high quality original Equipment for EOT cranes to assure safety. When we use high quality equipment in our EOT cranes, we actually save human and financial resources by eliminating the unnecessary maintenance, time and cost. It reduces the machine downtime and enhances overall production of the plant. Speedage Engineers high quality equipment for EOT cranes offers fail-safe original equipment for EOT cranes with better durability and reliability.

### Speedage Engineers India

More than 25 years, Speedage Engineers (India) Pvt. Ltd., has been one of the most innovative and leading original equipment manufacturers of control gear equipment for EOT cranes. The product development and manufacturing philosophy of Speedage Engineers is based on "Safety is Priceless." Our indigenously designed and patented product is the Elophy Thruster (Patent No. 486833), which has given an indigenous edge to the control gear equipment industry for EOT cranes in India. Our customer centric approach allowed us to serve our clients with high quality and full satisfaction.

### Product Applications for various industries

EOT Cranes; Steel, Sugar, Fertilizers, Cement, Power, Heavy Engineering, Automobile Industries, Ports, and many other industries where Heavy material handling required.

### Product Range

ELOPHY Thrusters, ELOPHY Brakes, Thrusters, Thruster Brakes, Master Controller, Resistance Boxes, Limit Switches, Cable Trolleys, Pendant Push Button stations, Rotating Geared Limit Switch, Radio Remote, Controls, Anti Collision Devices, Geared Couplings, Brake Drum Couplings.

**Speedage Engineers (India) Pvt. Ltd.**

C-94 DDA Sheds, Okhla Industrial Area, Phase-I, New Delhi-110020

Phone: 88 261 523 17, 011-41707718, 417077703 Email: [dprasad.speedageengineers@gmail.com](mailto:dprasad.speedageengineers@gmail.com)

[speedageengineers.com](http://speedageengineers.com)