

THRUSTER



THRUSTER


SPEEDAGE
ENGINEERS (INDIA) PVT. LTD.

SAFETY
= IS =
PRICELESS

CONTROL GEAR EQUIPMENT FOR EOT CRANES

speedageengineers.com



Thruster

The Speedage Thruster is an electro hydraulic device to apply thrust force to operate brake through lever arrangement.

Construction

The Thruster cylinder accommodates a centrifugal pump and a piston with two push-rods extending outside through thruster cover and transmitting effort to the brake. When integral three phase squirrel cage motor is energized, it spins the impeller, which is immersed in oil. Spinning of impeller generate a pressure head in the oil which is impressed upon a piston. This process generates force that gets transmitted to lever of brake by means of a push rod. Robust designed Thrusters unit is compact, has long life and is easy to maintain. Main components used are of high-quality cast iron, steel and high grade polymers.

Application

In all Electric Operated Cranes, Winches & Other material handling equipment. Thrusters are used to apply force to operate brake.

Features

1. Constant Pressure
2. Ease in maintenance
3. Fins provided on motor body for better heat dissipation
4. Gentle Application and release of brake without jerks and shocks
5. Larger number of switching-in operations per hour (up to 600)
6. Easily adapted to any form of existing or new machine
7. Practically all rubbing surfaces are immersed in oil
8. Made of only high-quality cast iron steel and high-grade polymers
9. Overload or under load on thrusters cannot cause damage to the motor

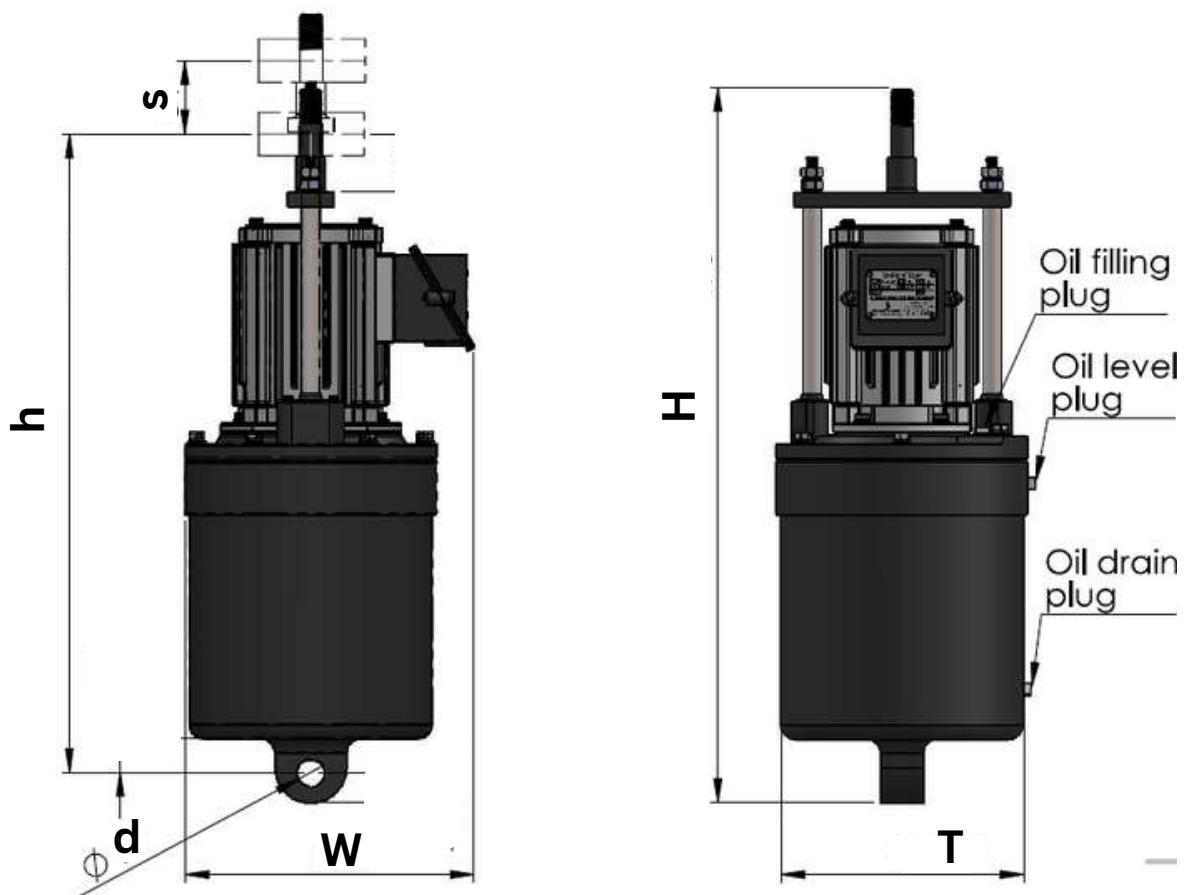
The rated stroke of each type of thruster can be changed, retaining the same attractive force, by means of sleeves fitted on the rods (inside the body) (this arrangement is possible with models from ST 535 and above)



Technical Specification of Thruster

Type	Input (Watts)	Thrust (Kg)	Stroke (MM)					
			S	h	H	d	T	W
EMT-1 (ST 520)	90	18	51	349	377	12.7	145	185
EMT-2 (ST 535)	150	34	51	444	498	19	169	200
EMT-3 (ST 546)	180	46	51	444	498	19	169	200
EMT-4 (ST 870)	200	68	76	508	584	22	235	208
EMT-5 (ST 8110)	250	114	76	508	584	22	235	208
EMT-6 (ST 13200)	420	225	127	660	787	25.4	250	275
EMT-7 (ST 13300)	580	295	127	660	787	25.4	250	275

Specification and General Drawing





Safety is Priceless

Safety is priceless. We produce high quality original Equipment for EOT cranes to assure safety. When we use high quality equipment in our EOT cranes, we actually save human and financial resources by eliminating the unnecessary maintenance, time and cost. It reduces the machine downtime and enhances overall production of the plant. Speedage Engineers high quality equipment for EOT cranes offers fail-safe original equipment for EOT cranes with better durability and reliability.

Speedage Engineers India

More than 25 years, Speedage Engineers (India) Pvt. Ltd., has been one of the innovative and leading original equipment manufacturer of control gear equipment for EOT cranes. The product development and manufacturing philosophy of Speedage Engineers is based on "Safety is priceless".

We ensure to deliver high quality and safe product to our customers. Speedage maintains product quality leadership by constantly innovating and improving the products in response to customer requirements.

Our customer centric approach allowed us to serve our clients with high quality and full satisfaction.

Product Applications for various industries

EOT Cranes; Steel, Sugar, Fertilizers, Cement, Power, Heavy Engineering, Automobile Industries, Ports, and many other industries where Heavy material handling required.

Product Range

ELOPHY Thrusters, ELOPHY Brakes, Thrusters, Thruster Brakes, Master Controller, Resistance Boxes, Limit Switches, Cable Trolleys, Pendant Push Button stations, Rotating Geared Limit Switch, Radio Remote, Controls, Anti Collision Devices, Geared Couplings, Brake Drum Couplings.

Speedage Engineers (India) Pvt. Ltd.

C-94 DDA Sheds, Okhla Industrial Area, Phase-I, New Delhi-110020

Phone: 88 261 523 17, 011-41707718, 417077702/03 Email: dprasad.speedageengineers@gmail.com

speedageengineers.com