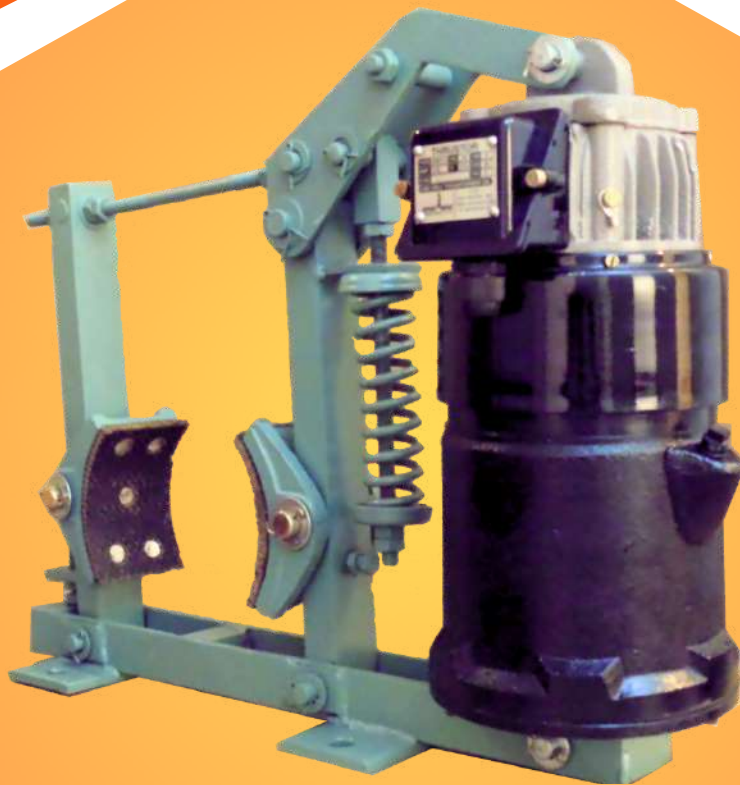


THRUSTER BRAKE



THRUSTER BRAKE


SPEEDAGE
ENGINEERS (INDIA) PVT. LTD.

SAFETY
IS
PRICELESS

CONTROL GEAR EQUIPMENT FOR EOT CRANES

speedageengineers.com



Thruster Brake

Thruster brake is a device to stop the rotating machinery/ machinery part. It stops machinery accurately to the desired position. The breaking force is applied to brake shoes by a pre-stressed compression spring. The brake shoes depress the rotating brake drum to slow it down and eventually stop it. Speedage Thruster brakes are suitable for 400/440 Volt, Phase A.C. supply for a wide range of drum sizes from 100 mm to 600 mm. Higher sizes can be supplied on request.

Construction

1. Base/ Arms: Rigid welded construction with accessible fixing.
2. Shoes Self aligning, easily removable high grade cast iron fitted with best quality fabric linings. Designed with a large cooling surface and fitted with stop to prevent rubbing on drum when brake is open.
3. Tie rod: Sufficient section of tie rod is securely fixed in a Lug. The tie rod transmits the spring force on the shoes by means of Arm and lever. These arms also work as a Simple lever system.
4. Springs: Compression Springs are vertically mounted through guide rods and securely held between Guide plated/Spring cups. One or more springs are used to get desired braking torque. It depends on the brake size and thrusters capacity in that brakes.

Working Principle of Brake

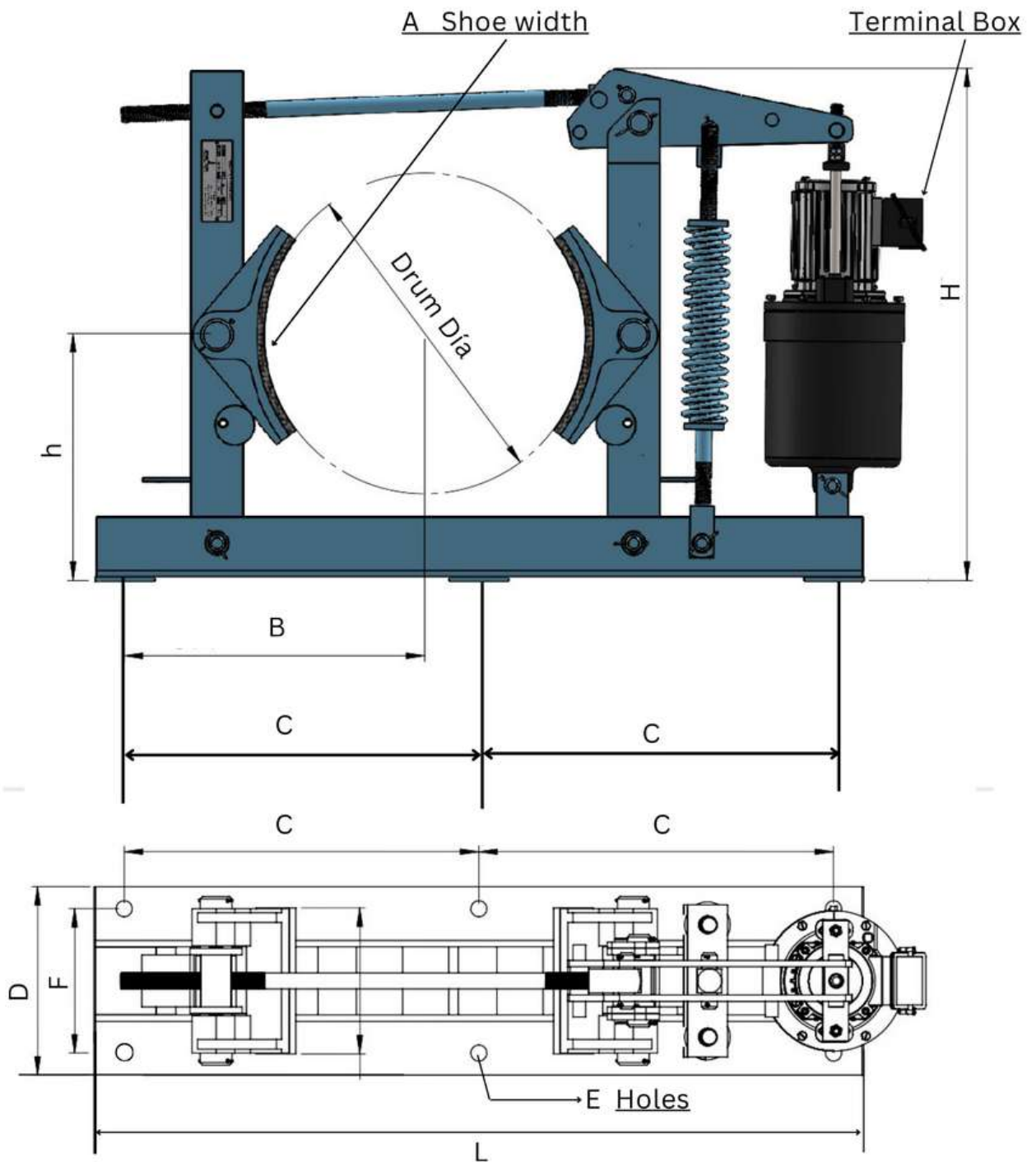
Braking force to the shoes is transmitted from the spring by means of Simple Lever and tie rod. Braking is very quick and smooth. Releasing of brake shoe affected by energizing the 3 phase motor of hydraulic thrusters which overcome the spring force and shoes are moved off from the drum by lever-arm linkage system.

Feature of Thruster Brake

1. Quick Braking / Releasing Action.
2. Ease in maintenance.
3. Robust construction.
4. Easily adapted to any form of existing or new machine



General Drawing





Torque Ratings

Torque Rating				
Brake Type	Drum Diameter (mm)	Thrustor Capacity (Kgs)	Thrustor Stroke (mm)	Braking Torque (Kg-M)
MDT 100-18	100	18	51	6
MDT 160-18	160	18	51	9
MDT 200-18	200	18	51	20
MDT 200-34	200	34	51	32
MDT 250-18	250	18	51	35
MDT 250-34	250	34	51	42
MDT 300-18	300	18	51	42
MDT 300-34	300	34	51	62
MDT 400-34	400	34	51	90
MDT 400-46	400	46	51	110
MDT 400-68	400	68	76	170
MDT 500-46	500	46	51	190
MDT 500-68	500	68	76	290
MDT 500-114	500	114	76	485
MDT 600-68	600	68	76	350
MDT 600-114	600	114	76	580



Dimensional Details

DIMENSIONAL DETAILS FOR 100 TO 800										
Drums Dia D	100	160	200	250	300	400	500	600	700	800
A	70	70	88	100	140	180	200	240	280	320
B	97.5	100	170	185	250	377	380	465	600	650
C	250	250	530	490	355	422	530	615	780	855
D	130	130	180	160	205	236	302	322	335	350
E	13	13	15	18	20	20	25	25	38	38
L	405	465	600	635	780	955	1130	1300	1650	1800
h	125	125	200	225	275	310	417	475	550	600
H	415	415	513	563	600	630	857	970	1260	1400
Wt. Brake Kgs.	17	20	27	30	70	88	125	190	210	240



Safety is Priceless

Safety is priceless. We produce high quality original Equipment for EOT cranes to assure safety. When we use high quality equipment in our EOT cranes, we actually save human and financial resources by eliminating the unnecessary maintenance, time and cost. It reduces the machine downtime and enhances overall production of the plant. Speedage Engineers high quality equipment for EOT cranes offers fail-safe original equipment for EOT cranes with better durability and reliability.

Speedage Engineers India

More than 25 years, Speedage Engineers (India) Pvt. Ltd., has been one of the innovative and leading original equipment manufacturer of control gear equipment for EOT cranes. The product development and manufacturing philosophy of Speedage Engineers is based on “Safety is priceless”.

We ensure to deliver high quality and safe product to our customers. Speedage maintains product quality leadership by constantly innovating and improving the products in response to customer requirements.

Our customer centric approach allowed us to serve our clients with high quality and full satisfaction.

Product Applications for various industries

EOT Cranes; Steel, Sugar, Fertilizers, Cement, Power, Heavy Engineering, Automobile Industries, Ports, and many other industries where Heavy material handling required.

Product Range

ELOPHY Thrusters, ELOPHY Brakes, Thrusters, Thruster Brakes, Master Controller, Resistance Boxes, Limit Switches, Cable Trolleys, Pendant Push Button stations, Rotating Geared Limit Switch, Radio Remote, Controls, Anti Collision Devices, Geared Couplings, Brake Drum Couplings.

Speedage Engineers (India) Pvt. Ltd.

C-94 DDA Sheds, Okhla Industrial Area, Phase-I, New Delhi-110020

Phone: 88 261 523 17, 011-41707718, 417077702/03 Email: dprasad.speedageengineers@gmail.com

speedageengineers.com